

ELMO

CCD Black & White VIDEO CAMERAS

TSE270X · TSE271X · TSE272X



This product is manufactured at the ISO9002 certified factory of ELMO CO., LTD. Q 99010

ELMO

Visualizing technology since 1921

Budget-priced 1/3" CCD B&W Camera. Features Low Light Sensitivity, Backlight Compensation, Automatic Electronic Shutter, and external adjustments for easy installations.

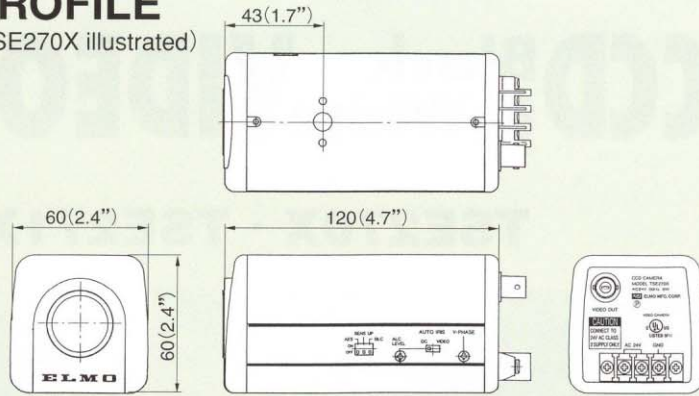
- 0.09 lux sensitivity
- 380 TV Lines (H) resolution
- 270,000 pixels
- Built-in isolation transformer
- Convenient side panel controls with easy focus adjustment



(with an optional lens)

PROFILE

(TSE270X illustrated)



All dimensions in mm (in inches)

SPECIFICATIONS

MODEL	TSE270X	TSE271X	TSE272X
Power	AC24V±10% 60Hz±1Hz	DC12V (DC11V—16V)	AC120V±10% 60Hz±1Hz
Power consumption	Approx. 6W	Approx. 3.2W	Approx. 6W
Pick-up device	1/3" Black & White Interline-Transfer CCD		
Effective picture element	512 (H) × 492 (V)		
Scanning area	4.92mm (H) × 3.69mm (V)		
Scanning system	2:1 interlaced		
Scanning frequency	15.75kHz (H), 60Hz (V)	15.734kHz (H), 59.94Hz (V)	15.75kHz (H), 60Hz (V)
Sync. system	Line-lock	Internal	Line-lock
Resolution	380TV (H) lines, 350TV (V) lines		
S/N ratio	More than 46dB		
Minimum illumination	0.09 lx (F1.4 under incandescent lamp, w/Sens-up on)		
AGC	Built-in		
Sens-up	Provided (Factory-set at OFF)		
Backlight compensation	Provided (Factory-set at OFF)		
AES(Automatic Electronic Shutter)	Provided (Factory-set at OFF)		
Gamma correction	0.45		
Accumulation mode	Field		
Output signal	VBS 1.0Vp-p, 75Ω, EIA, compatible		
Auto-iris terminal	4P square connector (DC/Video)		
Power terminal	3P screw terminal	2P screw terminal	Power cord
Lens mount	CS		
Ambient temperature	-10°C~50°C (14°F~122°F)		
Ambient humidity	30%~90%		
Dimensions	60 (W) × 60 (H) × 120 (D) mm (2.4×2.4×4.7in)		
Weight	510g (1.12 lbs)	320g (0.71 lbs)	600g (1.32 lbs)

Design and specifications are subject to change without prior notice.
Dimensions and weight are approximate.

ELMO ELMO CO., LTD.

ELMO Mfg. Corp.
1478 Old Country Road,
Plainview, NY 11803-5034,
U.S.A.
Tel. 516-501-1400
Fax. 516-501-0429
E-mail: elmo@elmo-corp.com
Web: http://www.elmo-corp.com

21720 Nordhoff Street,
Chatsworth,
CA 91311-5826,
U.S.A.
Tel. 818-346-4500
Fax. 818-998-4186

ELMO Canada Mfg. Corp.

44 West Drive, Brampton,
Ontario, L6T 3T6,
Canada
Tel. 905-453-7880
Fax. 905-453-2391
E-mail: info@elmocanada.com

ELMO (Europe) G.m.b.H.

Neanderstr 18,
40233 Düsseldorf,
Germany
Tel. 0211-376051-53
Fax. 0211-376630
E-mail: elmo@elmo.eu.com
Web: http://www.elmo.de/

6-14, Meizen-cho, Mizuho-ku,
Nagoya, 467-8567 Japan
E-mail: elmo@gix.or.jp

Distributed by